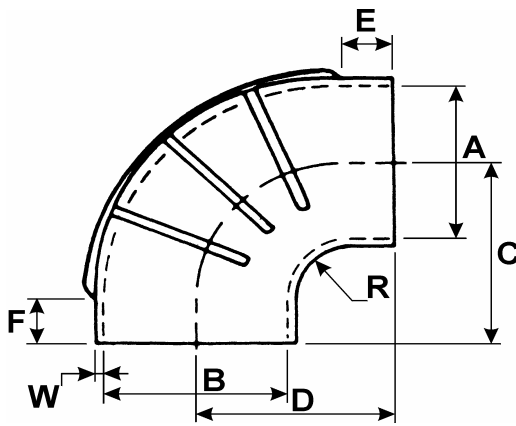
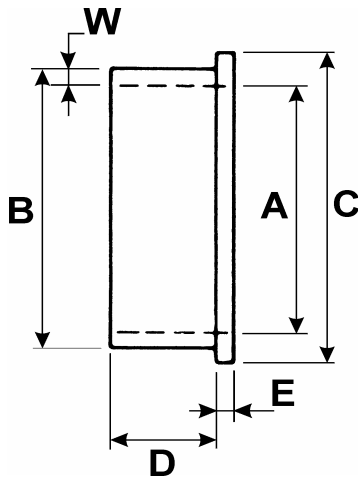




90° Reducing Elbows - Rubber



A (I.D.) inches mm	B (I.D.) inches mm	C inches	D inches	E inches	F inches	R inches	W inches	Elbow P/No
5 127	6 152	7	6	1.5	1.7	1.5	0.25	4010
5½ 140	6 152	6.75	6.75	1.75	1.75	1.75	0.25	4011
5½ 140	7 178	5.75	6.25	1.5	1.5	0.62	0.31	4012
6 152	7 178	9	7.56	3	3	0.5	0.37	4013



Reducer Insert Sleeve - Rubber

A (I.D.) inches mm	B (O.D.) inches mm	C inches	D inches	E inches	W inches	Sleeve P/No
4 102	5 127	5.5	1.5	0.25	0.5	4040
4 102	5.5 140	6	1.5	0.25	0.25	4041
5 127	5.5 140	6	1.5	0.25	0.25	4042
5 127	6 152	6.5	1.5	0.25	0.25	4043
5½ 140	6 152	6.5	1.5	0.25	0.25	4044
6 152	7 178	7.5	1.5	0.25	0.5	4045
7 178	8 203	8.5	1.5	0.25	0.5	4046