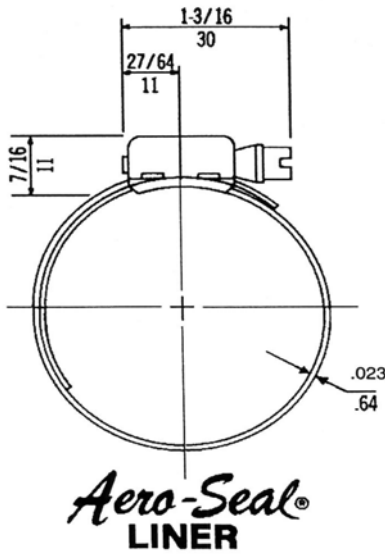




Breeze Hose Clamps

Breeze 1/2" Wide Aero-Seal Clamp

9400 Series Stainless Steel Hex Screw



Band liner of clamp protects soft surface hoses from damage through the band slots

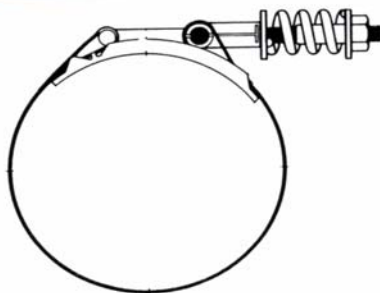
Effective Range

P/No	Min.(inches/mm)	Max.(inches/mm)	Breeze P/No
4500	7/16 (11mm)	25/32 (20mm)	9406H
4501	1/2 (13mm)	29/32 (23mm)	9408H
4502	9/16 (14mm)	1 1/16 (27mm)	9410H
4503	11/16 (17mm)	1 1/4 (32mm)	9412H
4504	13/16 (21mm)	1 1/2 (38mm)	9416H
4505	13/16 (21mm)	1 3/4 (44mm)	9420H
4506	1 1/16 (27mm)	2 (51mm)	9424H
4507	1 5/16 (33mm)	2 1/4 (57mm)	9428H
4508	1 9/16 (40mm)	2 1/2 (64mm)	9432H
4509	1 13/16 (46mm)	2 3/4 (70mm)	9436H
4510	2 1/16 (52mm)	3 (76mm)	9440H
4511	2 5/16 (59mm)	3 1/4 (83mm)	9444H
4512	2 9/16 (65mm)	3 1/2 (89mm)	9448H
4513	2 13/16 (71mm)	3 3/4 (95mm)	9452H
4514	3 1/16 (78mm)	4 (102mm)	9456H
4515	3 5/16 (84mm)	4 1/4 (108mm)	9460H
4516	3 9/16 (91mm)	4 1/2 (114mm)	9464H
4517	4 1/8 (105mm)	5 (127mm)	9472H
4518	4 5/8 (117mm)	5 1/2 (140mm)	9480H
4519	5 1/8 (130mm)	6 (152mm)	9488H
4520	5 5/8 (143mm)	6 1/2 (165mm)	9496H
4521	6 1/8 (156mm)	7 (178mm)	94104H

Aero-Seal - Box Qty 10 per.

T-Bolt Clamp - Constant Torque

Stainless Steel (Bridge Type)



I.D. (Maximum) inches	mm	I.D. (Minimum) inches	mm	Replaces	Bridge Type P/No
2.49	63.25	2.25	57.15	848-36	4090B
2.93	74.43	2.69	68.33	848-43	4091B
3.37	85.6	3.13	79.5	848-50	4092B
3.87	98.3	3.63	92.2	848-58	4094B
4.12	104.65	3.88	98.55	848-62	4095B
4.37	111	4.13	104.9	848-66	4096B
4.87	123.7	4.63	117.6	848-74	4097B
5.37	136.4	5.13	130.3	848-82	4098B